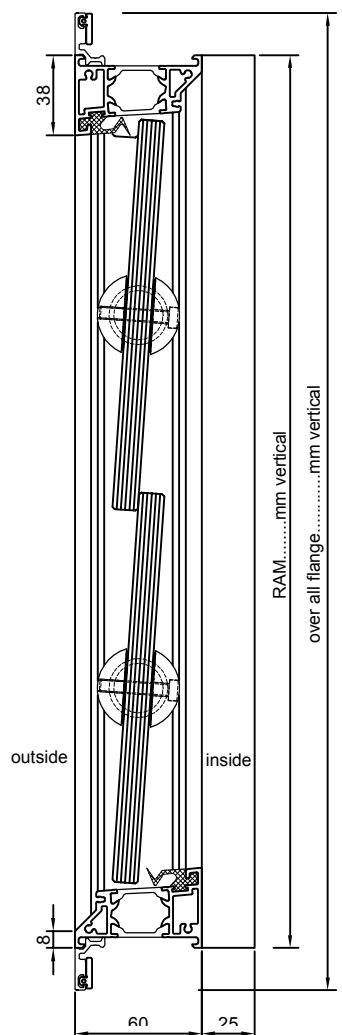
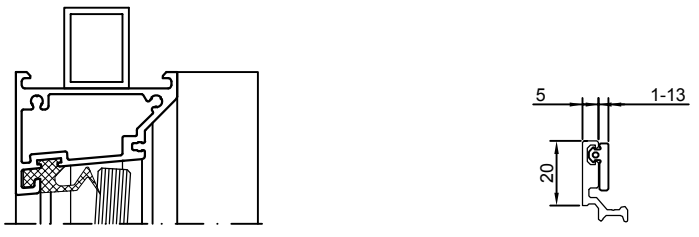


1		2			3			4				
Project:												
Country-City		Investor		Architect		Contractor		offer submission date		Project Completion date		
A	pos.	pieces	RAM hori.(mm)	RAM vert.(mm)	over all flange hori.(mm)	over all flange verti.(mm)	blade (pieces)	operation possibilities	operation side A / B	cable inlet above / below	NSHEV to EN 12101-2 yes / no	anti-trap protection at electric motor yes / no

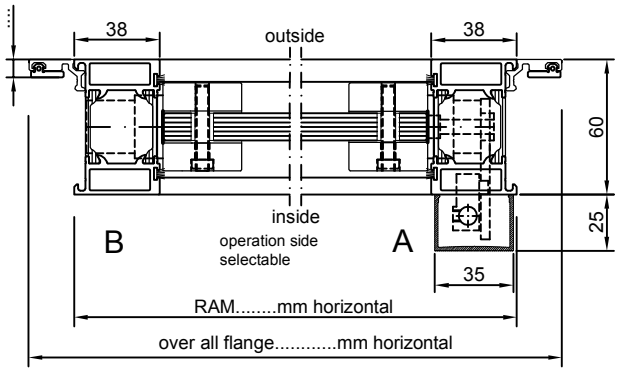
operation possibilities: electric motor = em (24V / 230V); hand lever = hl; crank handle = ch (fixed / removeable); pneumatic = p
 vertical section



paint colour:
 powder manufacturer: product-no.:
 glass thickness:
 adapter frame optional
 adapter strength: (mm) position (mm)
 frame made of non-insulated, extruded aluminium profiles
 adapter profile (5-18mm)



horizontal section



99510 Wiegendorf Germany Tel.: 036462/3388-0 Fax: 036462/3388-13 info@eurolam.de www.eurolam.de				EuroLam		surface treatment:		scale:		position:		unit:	
				date		name		<h1>EuroLam-louvre window</h1> <h2>GG Overlapping BT60</h2>					
				drawn									
				checked									
				standard									
								<h1>inquiry-/order-data sheet</h1>					
								p.					
list		change		date		name		file:		2016-12 - inquiry data sheet GG Schuppe BT 60.dwg			