

1

2

3

4

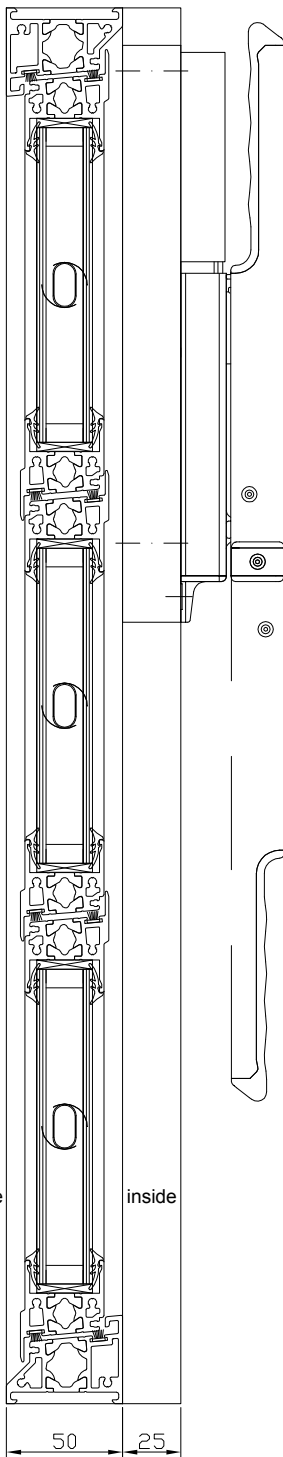
vertical section

A

B

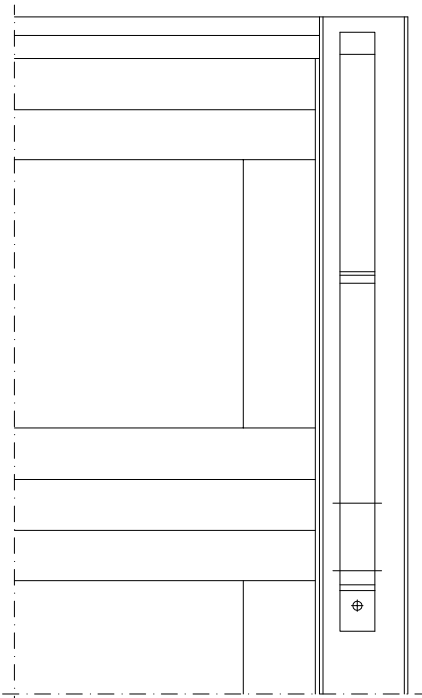
C

D

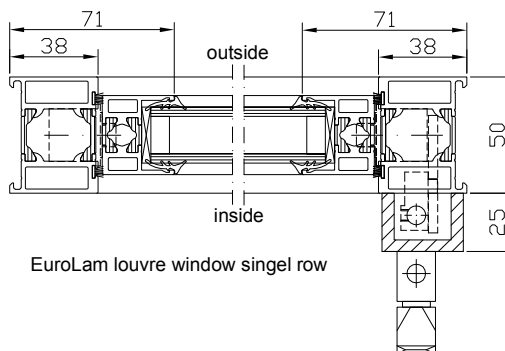


outside

inside



horizontal section



EuroLam louvre window singel row

hand lever optional
lockable / swingable

99510 Wiegendorf
Germany
Tel.: 036462/3388-0
Fax: 036462/3388-13
info@eurolam.de
www.eurolam.de



surface treatment:

scale:

position:

unit:

					date	name
				drawn		
				checked		
				standard		
list	change	date	name	file:	Hand lever 02-2009 enq.dwg	

EuroLam- hand lever

operation possibilities

page

p.