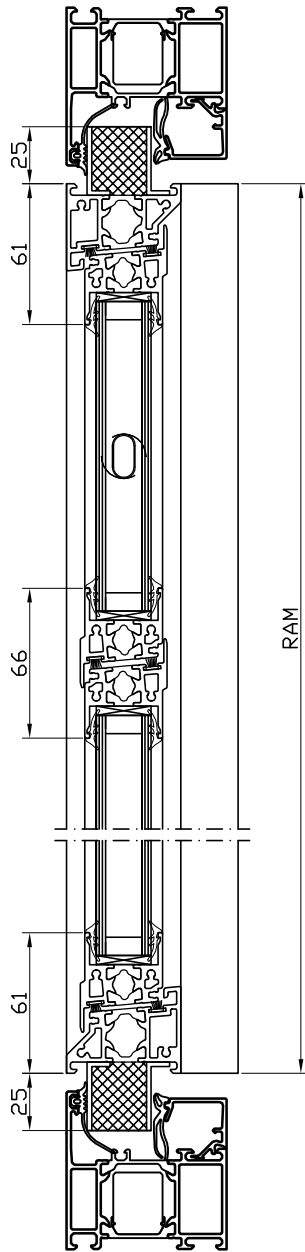
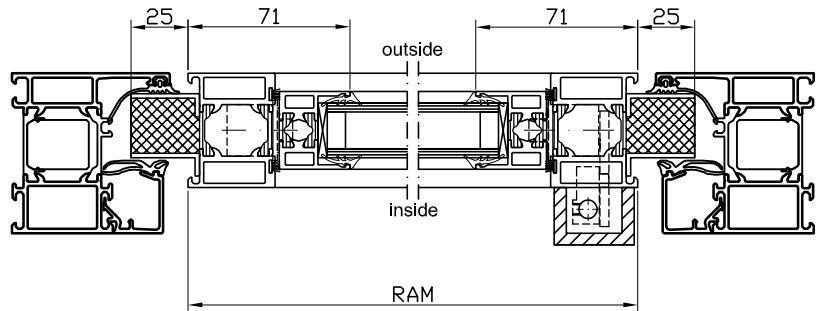


vertikal section



horizontal section



**EuroLam**<sup>®</sup>  
INTERNATIONAL

99510 Wiegendorf  
Germany  
Tel.: 036462/3388-0  
Fax: 036462/3388-13

info@eurolam.de  
www.eurolam.de

		finish:	scale:	position:	quantity:
installation possibilities					
<b>EuroLam-louver window</b>					
installation in window construction					
	Date	Name			
Bearb.					
Gepr.					
Norm					
Dateiname: window_02-2009_eng					