

construction description

- Louvre windows for installation in vertical facades
- Frame and sash profiles made from a thermally separated composite of aluminum and PA6.6 / PT profiles
- Filling made of triple insulating glazing or panel
- Glazing completely covers the sash profile from the outside (by means of black edge screen printing: RAL 9005), thus achieving an all-glass look
- Louvre windows consist of one or more louvres lying one on top of the other, which open as pivoting sashes via a horizontal axis of rotation. The part of the wing below the axis of rotation opens outwards and the part above it opens inwards. As a rule, the axis of rotation is in the middle of the slat height; can also be postponed up to 1/3 - 2/3 after technical clarification
- Standard with 64° opening angle, if required also from 0° - 90°

profile dimensions

- Frame depth: 60 mm
- Frame view width: 38 mm
- View width of vertical wings: 33 mm
- Visible width of horizontal sash joint: 66 mm

seals

- laterally with brush seal
- horizontal profile joints with brush and EPDM seal

fittings

- Fittings are concealed
- made of corrosion-free materials or galvanized

Possible operations

Manually

- hand lever
- articulated crank rod

motoric

- 230V - AC
- 24 V - DC (approved for NSHEV)

Pneumatic

- Pneumatic cylinder (approved for NSHEV)



surfaces

- Profiles anodised, powder or wet paint coated in RAL, NCS, DB or special colour

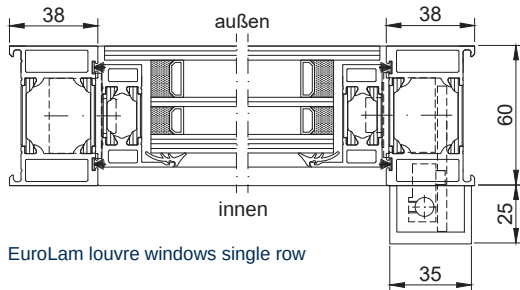
areas of application

- for ventilation
- as NSHEV according to DIN EN 12101-2
- for installation in vertical facades (further applications after technical clarification)

Possible sizes

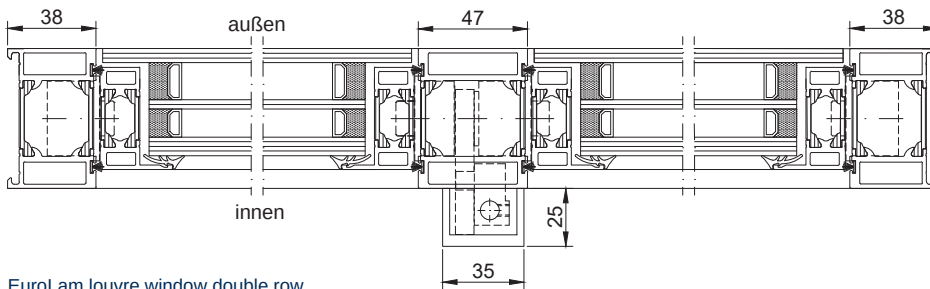
- minimum frame width: 300 mm
- maximum frame width: 2500 mm (wider elements only with division by middle post)
- Slat height variable: 120 mm to 400 mm

**Horizontal section single row
(shown without control element)**



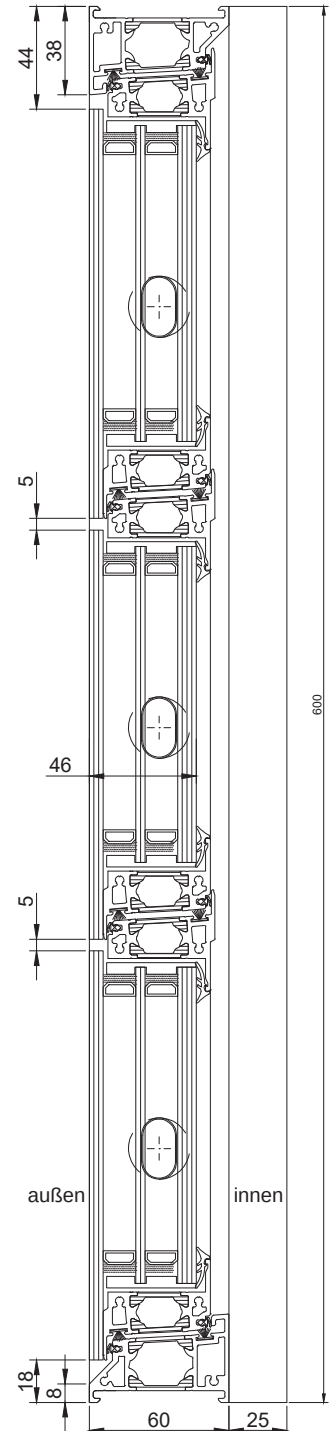
EuroLam louvre windows single row

**Horizontal section in two rows
(shown without control element)**



EuroLam louvre window double row

**vertical section
(shown without control element)**



certifications

Tested according to DIN EN 14351-1:2006 + A1:2010

- Driving rain tightness class 6A (DIN EN 12207)
- with additional seal class 7A (DIN EN 12207)
- Joint passage class 3 (DIN EN 12208)
- with additional seal class 4 (DIN EN 12208)
- Wind resistance class C2 (DIN EN 12210)
- with additional seal class C5 (DIN EN 12210)
- Durability Class 3 (DIN EN 1191)

Tested according to DIN EN 12101-2:2003

- Aerodynamics (Attachment B)
- Functional safety RE 1000 (Attachment C)
- Function under loads SL 0 (Attachment D)
- Function at low temperatures T(-20) (Attachment E)
- Stability under wind load WL 2500 (Attachment F)
- Heat resistance B 300 E (Attachment G)

More exams

- Ball safety (DIN EN 18032-3:1997)
- Airborne sound insulation 38 dB (DIN EN ISO 717-1)
- Fall protection (DIN EN 18008-4:2013)
- Burglar resistance RC2 (DIN EN 1627)